



4" Water Filled Submersible Motors Canned Type

Made in Taiwan



Catalogo 50/60 Hz

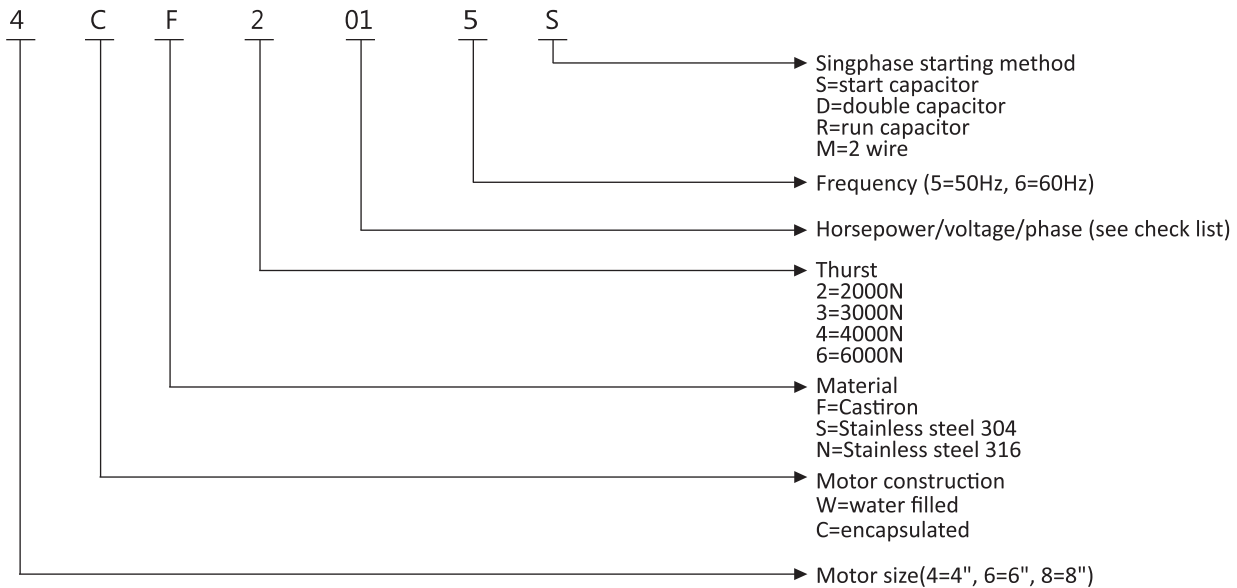
4" Encapsulated Hermetical Sealed Canned Motors

Sistema's Encapsulated Hermetically Canned Submersible Motor is developed with market expectation to meet robust construction and stringent requirement for Deep Well application both 4" & 6" encapsulated motors, manufactured in ISO 9001 for dependable operation in 6" diameter or larger water wells.

Water lubricated thrust and radial bearings enable a maintenance free operation.

A Reinforced netted Nylon diaphragm ensures pressure compensation inside the motor. Carbon ceramic seal system is standard.

Model code



Product Advantages

- Hermetically Canned sealed stator, anti track, stator resin prevents motor burn out
- Removable lead connector
- Cable material according to drinking water regulations (VDE / approved)
- Motor with Carbon ceramic-Mechanical Seal and Sand Slinger silicon carbide are available upon request
- High efficiency electrical design for low operation cost
- 100% inspection and testing of all motors prior to delivery
- Max. storage temperature -12°C - + 62°C

Technical Specifications

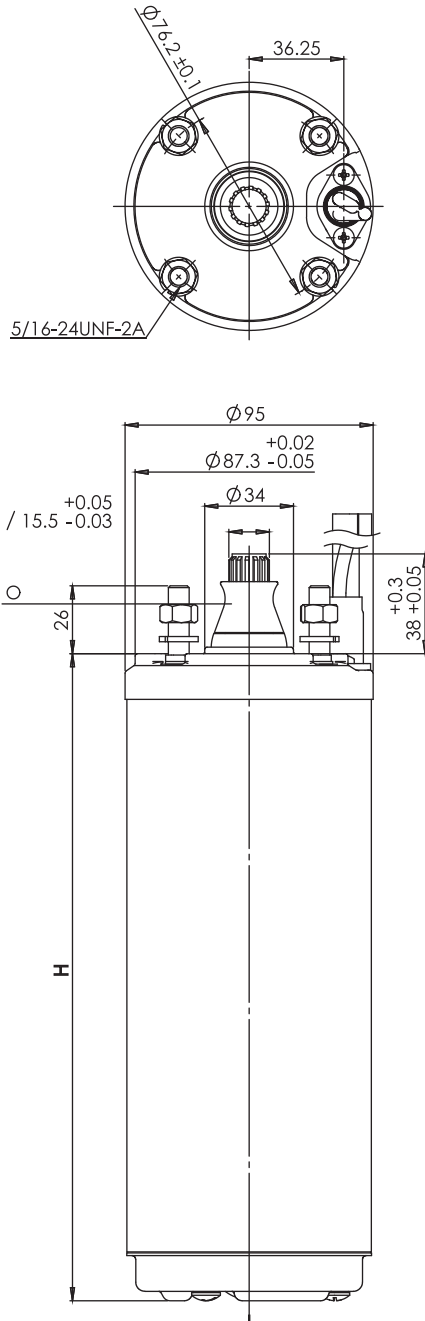
- 4 50Hz 1ø 0.5 5HP(0.37kW-3.7kW)
- 4" 50Hz 3ø 0.5-7.5HP(0.37kW-5.5kW)
- 4" 60Hz 1ø 0.5-5HP(0.37kW-3.7kW)
- 4" 60Hz 3ø 0.5-7.5HP(0.37kW-5.5kW)
- 4" NEMA Flange
- Protection: IP 68
- Starts per hour: 20
- Installation: vertical/horizontal(with a tilt angle >5 ° towards the DE)
- Motor protection: thermal overloads switch
- Insulation: Class F
- Rated ambient temperature: 4 - 37kW, 5-50HP up to 30°C
- Cooling low: min. 0.08 m/s
- Motor lead in 50HZ 4" are 1.7 or 2.5M
- Motor lead in 60HZ 4" are 1.2 or 2.5M

Options

- Other voltages
- Y△ - start
- Motors complete in 304SS

Standard Voltage				
4"	50Hz	1ø	220-240V	
		3ø	220-240V 380-415V	
	60Hz	1ø	110-115V	220-230V
			220-230V	380-400V
		3ø	380-400V	460V
			460V	

Dimensions



SINGLE-PHASE 3Wire (50Hz)

HP	kW	H(mm)	Axial Thrust
0.5	0.37	248	2000N
0.75	0.55	275	2000N
1	0.75	298	3000N
1.5	1.1	347	3000N
2	1.5	388	3000N
3	2.2	473	4000N
5	3.7	704	6000N

SINGLE-PHASE 3Wire (60Hz)

HP	kW	H(mm)	Axial Thrust
0.5	0.37	248	2000N
0.75	0.55	275	2000N
1	0.75	298	3000N
1.5	1.1	347	3000N
2	1.5	388	3000N
3	2.2	473	4000N
5	3.7	704	6000N

SINGLE-PHASE 2Wire (50Hz)

HP	kW	H(mm)	Axial Thrust
0.5	0.37	294	2000N
0.75	0.55	321	2000N
1	0.75	364	3000N
1.5	1.1	409	3000N

SINGLE-PHASE 2Wire (60Hz)

HP	kW	H(mm)	Axial Thrust
0.5	0.37	294	2000N
0.75	0.55	321	2000N
1	0.75	364	3000N
1.5	1.1	409	3000N

THREE-PHASE (50Hz)

HP	kW	H(mm)	Axial Thrust
0.5	0.37	248	2000N
0.75	0.55	275	2000N
1	0.75	298	3000N
1.5	1.1	298	3000N
2	1.5	352	3000N
3	2.2	396	4000N
4	3	551	6000N
5.5	4	614	6000N
7.5	5.5	704	6000N

THREE-PHASE (60Hz)

HP	kW	H(mm)	Axial Thrust
0.5	0.37	248	2000N
0.75	0.55	275	2000N
1	0.75	298	3000N
1.5	1.1	298	3000N
2	1.5	352	3000N
3	2.2	396	4000N
5	3.7	551	6000N
7.5	5.5	704	6000N

Specification

4" Encapsulated Hermetical Sealed Canned Motors 50HZ Single Phase, 2 Wire 220-240V

MODEL	Frequency	Phase	Voltage	POWER		Cable M	Thrust (N)	Amps
				HP	KW			
4CF2005M	50HZ	1∅	220~240	0.5	0.37	1.7	2000N	3.2
4CF2015M	50HZ	1∅	220~240	0.75	0.55	1.7	2000N	4.2
4CF3025M	50HZ	1∅	220~240	1	0.75	1.7	3000N	5.7
4CF3035M	50HZ	1∅	220~240	1.5	1.1	1.7	3000N	8.1

4" Encapsulated Hermetical Sealed Canned Motors 50HZ Single Phase, 3 Wire 220-240V

MODEL	Capacitor Type	Frequency	Phase	Voltage	POWER		Cable M	Thrust (N)	Amps
					HP	KW			
4CF2005R	Run Capacitor	50HZ	1∅	220~240	0.5	0.37	1.7	2000N	3.2
4CF2015R	Run Capacitor	50HZ	1∅	220~240	0.75	0.55	1.7	2000N	4.2
4CF3025R	Run Capacitor	50HZ	1∅	220~240	1	0.75	1.7	3000N	5.7
4CF3035R	Run Capacitor	50HZ	1∅	220~240	1.5	1.1	1.7	3000N	8.1
4CF2005S	Start Capacitor	50HZ	1∅	220~240	0.5	0.37	1.7	2000N	4.2
4CF2015S	Start Capacitor	50HZ	1∅	220~240	0.75	0.55	1.7	2000N	6.3
4CF3025S	Start Capacitor	50HZ	1∅	220~240	1	0.75	1.7	3000N	7.6
4CF3035D	D-Capacitor	50HZ	1∅	220~240	1.5	1.1	1.7	3000N	10.0
4CF3045D	D-Capacitor	50HZ	1∅	220~240	2	1.5	1.7	3000N	12.1
4CF4055D	D-Capacitor	50HZ	1∅	220~240	3	2.2	2.5	4000N	17.8
4CF6075D	D-Capacitor	50HZ	1∅	220~240	5	3.7	2.5	6000N	26.0

4" Encapsulated Hermetical Sealed Canned Motors 50HZ Three Phase 220-240V

MODEL	Frequency	Phase	Voltage	POWER		Cable M	Thrust (N)	Amps
				HP	KW			
4CF2205	50HZ	3∅	220~240	0.5	0.37	1.7	2000N	1.8
4CF2215	50HZ	3∅	220~240	0.75	0.55	1.7	2000N	2.6
4CF3225	50HZ	3∅	220~240	1	0.75	1.7	3000N	3.5
4CF3235	50HZ	3∅	220~240	1.5	1.1	1.7	3000N	5.2
4CF3245	50HZ	3∅	220~240	2	1.5	1.7	3000N	6.9
4CF4255	50HZ	3∅	220~240	3	2.2	2.5	4000N	10.4
4CF6265	50HZ	3∅	220~240	4	3.0	2.5	6000N	12.6
4CF6275	50HZ	3∅	220~240	5.5	4.0	2.5	6000N	18.0
4CF6285	50HZ	3∅	220~240	7.5	5.5	2.5	6000N	22.8

4" Encapsulated Hermetical Sealed Canned Motors 50HZ Three Phase 380-415V

MODEL	Frequency	Phase	Voltage	POWER		Cable M	Thrust (N)	Amps
				HP	KW			
4CF2105	50HZ	3∅	380~415	0.5	0.37	1.7	2000N	1.1
4CF2115	50HZ	3∅	380~415	0.75	0.55	1.7	2000N	1.6
4CF3125	50HZ	3∅	380~415	1	0.75	1.7	3000N	2.1
4CF3135	50HZ	3∅	380~415	1.5	1.1	1.7	3000N	3.0
4CF3145	50HZ	3∅	380~415	2	1.5	1.7	3000N	4.0
4CF4155	50HZ	3∅	380~415	3	2.2	2.5	4000N	6.0
4CF6165	50HZ	3∅	380~415	4	3.0	2.5	6000N	7.3
4CF6175	50HZ	3∅	380~415	5.5	4.0	2.5	6000N	10.1
4CF6185	50HZ	3∅	380~415	7.5	5.5	2.5	6000N	13.0

Specifications

4" Encapsulated Hermetical Sealed Canned Motors 60HZ Single Phase,2 Wire 110-115V

MODEL	Frequency	Phase	Voltage	POWER		Cable M	Thrust (N)	Amps
				HP	KW			
4CF2606M	60HZ	1Ø	110~115	0.5	0.37	1.2	2000N	10.6

4" Encapsulated Hermetical Sealed Canned Motors 60HZ Single Phase,2 Wire 220-230V

MODEL	Frequency	Phase	Voltage	POWER		Cable M	Thrust (N)	Amps
				HP	KW			
4CF2506M	60HZ	1Ø	220~230	0.5	0.37	1.2	2000N	5.3
4CF2516M	60HZ	1Ø	220~230	0.75	0.55	1.2	2000N	7.0
4CF3526M	60HZ	1Ø	220~230	1	0.75	1.2	3000N	8.5
4CF3536M	60HZ	1Ø	220~230	1.5	1.1	1.2	3000N	12.2

4" Encapsulated Hermetical Sealed Canned Motors 60HZ Single Phase, 3 Wire 110-115V

MODEL	Capacitor Type	Frequency	Phase	Voltage	POWER		Cable M	Thrust (N)	Amps
					HP	KW			
4CF2606S	Start Capacitor	60HZ	1Ø	110~115	0.5	0.37	1.2	2000N	10.0

4" Encapsulated Hermetical Sealed Canned Motors 60HZ Single Phase, 3 Wire 220-230V

MODEL	Capacitor Type	Frequency	Phase	Voltage	POWER		Cable M	Thrust (N)	Amps
					HP	KW			
4CF2506S	Start Capacitor	60HZ	1Ø	220~230	0.5	0.37	1.2	2000N	5.0
4CF2516S	Start Capacitor	60HZ	1Ø	220~230	0.75	0.55	1.2	2000N	6.8
4CF3526S	Start Capacitor	60HZ	1Ø	220~230	1	0.75	1.2	3000N	8.2

MODEL	Capacitor Type	Frequency	Phase	Voltage	POWER		Cable M	Thrust (N)	Amps
					HP	KW			
4CF2506R	Run Capacitor	60HZ	1Ø	220~230	0.5	0.37	1.2	2000N	5.3
4CF2516R	Run Capacitor	60HZ	1Ø	220~230	0.75	0.55	1.2	2000N	7.0
4CF3526R	Run Capacitor	60HZ	1Ø	220~230	1	0.75	1.2	3000N	8.5
4CF3536R	Run Capacitor	60HZ	1Ø	220~230	1.5	1.1	1.2	3000N	12.2

MODEL	Capacitor Type	Frequency	Phase	Voltage	POWER		Cable M	Thrust (N)	Amps
					HP	KW			
4CF3536D	D-Capacitor	60HZ	1Ø	220~230	1.5	1.1	1.2	3000N	10.0
4CF3546D	D-Capacitor	60HZ	1Ø	220~230	2	1.5	1.2	3000N	10.0
4CF4556D	D-Capacitor	60HZ	1Ø	220~230	3	2.2	2.5	4000N	14.0
4CF6566D	D-Capacitor	60HZ	1Ø	220~230	5	3.7	2.5	6000N	23.0

4" Encapsulated Hermetical Sealed Canned Motors 60HZ Three Phase 220-230V

MODEL	Frequency	Phase	Voltage	POWER		Cable M	Thrust (N)	Amps
				HP	KW			
4CF2906	60HZ	3Ø	220~230	0.5	0.37	1.2	2000N	2.4
4CF2916	60HZ	3Ø	220~230	0.75	0.55	1.2	2000N	3.1
4CF3926	60HZ	3Ø	220~230	1	0.75	1.2	3000N	3.9
4CF3936	60HZ	3Ø	220~230	1.5	1.1	1.2	3000N	5.0
4CF3946	60HZ	3Ø	220~230	2	1.5	1.2	3000N	6.7
4CF4956	60HZ	3Ø	220~230	3	2.2	2.5	4000N	9.5
4CF6976	60HZ	3Ø	220~230	5	3.7	2.5	6000N	15.9
4CF6996	60HZ	3Ø	220~230	7.5	5.5	2.5	6000N	23.0

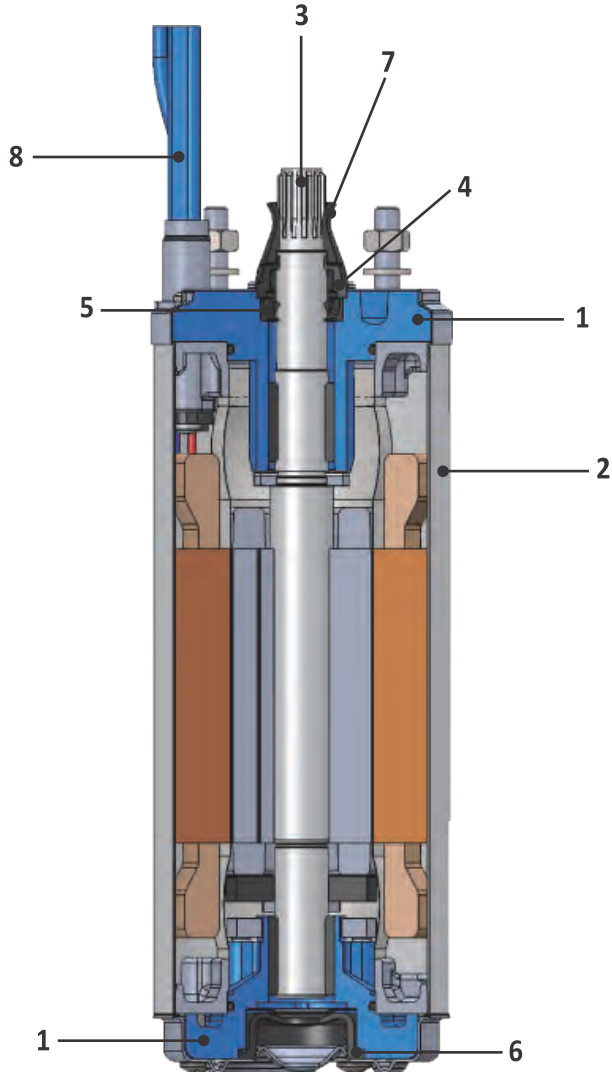
4" Encapsulated Hermetical Sealed Canned Motors 60HZ Three Phase 380-400V

MODEL	Frequency	Phase	Voltage	POWER		Cable M	Thrust (N)	Amps
				HP	KW			
4CF2806	60HZ	3Ø	380~400	0.5	0.37	1.2	2000N	1.4
4CF2816	60HZ	3Ø	380~400	0.75	0.55	1.2	2000N	1.9
4CF3826	60HZ	3Ø	380~400	1	0.75	1.2	3000N	2.3
4CF3836	60HZ	3Ø	380~400	1.5	1.1	1.2	3000N	3.0
4CF3846	60HZ	3Ø	380~400	2	1.5	1.2	3000N	4.1
4CF4856	60HZ	3Ø	380~400	3	2.2	2.5	4000N	5.8
4CF6876	60HZ	3Ø	380~400	5	3.7	2.5	6000N	9.6
4CF6896	60HZ	3Ø	380~400	7.5	5.5	2.5	6000N	13.9

4" Encapsulated Hermetical Sealed Canned Motors 60HZ Three Phase 460V

MODEL	Frequency	Phase	Voltage	POWER		Cable M	Thrust (N)	Amps
				HP	KW			
4CF2306	60HZ	3Ø	460	0.5	0.37	1.2	2000N	1.2
4CF2316	60HZ	3Ø	460	0.75	0.55	1.2	2000N	1.6
4CF3326	60HZ	3Ø	460	1	0.75	1.2	3000N	2.0
4CF3336	60HZ	3Ø	460	1.5	1.1	1.2	3000N	2.5
4CF3346	60HZ	3Ø	460	2	1.5	1.2	3000N	3.4
4CF4356	60HZ	3Ø	460	3	2.2	2.5	4000N	4.8
4CF6376	60HZ	3Ø	460	5	3.7	2.5	6000N	8.0
4CF6396	60HZ	3Ø	460	7.5	5.5	2.5	6000N	11.5

Components and Materials



NO.	Component	Material
1	Castings	AISI 304 over Iron
2	Stator Shell	AISI 304
3	Shaft	AISI 420
4	Seal Cover	Nylon
5	Seal	NBR
6	Diaphragm	NBR
7	Slinger	NBR
8	Lead Wire (or Cable)	XLPE
	Fasteners	AISI 304
	Lead Potting	Epoxy