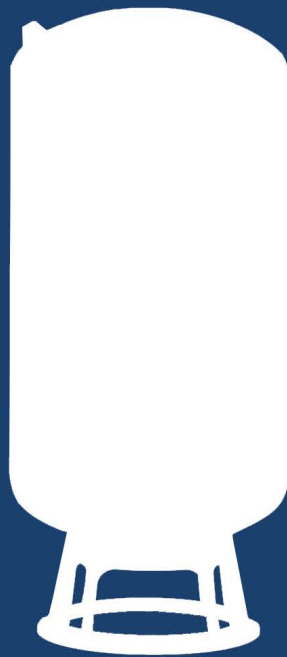




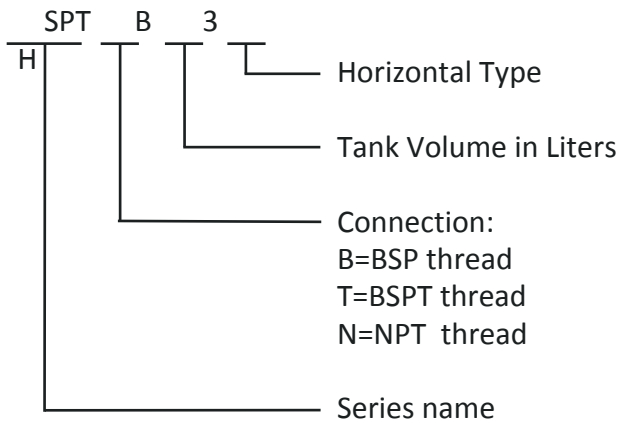
Pressure Tanks with
Diaphragm Membrane NSF Standard

Made in Taiwan



Catalogo

Model code



Features

- NSF Standard 61, IAPMO R&T UPC approved
- Polypropylene liner to ensure long durability
- Butyl diaphragm to assure long life and safety
- Corrosion resistant durable baked epoxy coating finish
- Leak free, O-ring sealed air valve cap
- 100% pressure tested
- No maintenance needed
- 304 Stainless Steel water connection

Applications

- Water storage
- Water pressure boosting
- Water transferring



In-Line Type

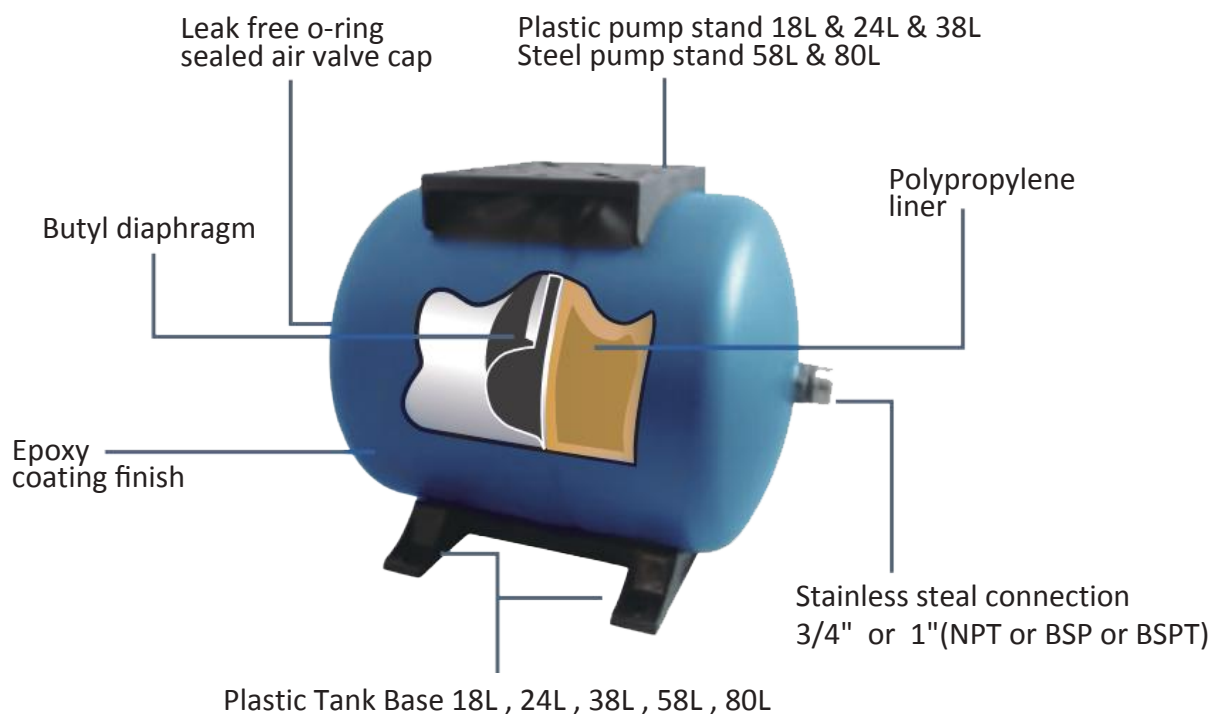


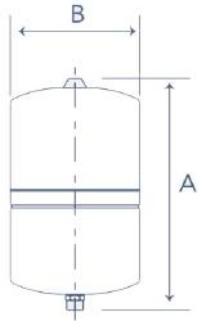
Vertical Type With Base

Operating Conditions

- Max.Working Pressure: 10 bar
- Max.Working Temperature: 90°C

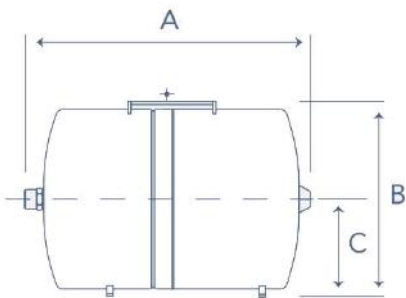
Volume	Type
1 - 38 Liter	In-Line
58 - 305 Liter	Vertical Type With Base
18 - 80 Liter	Horizontal Type With Base





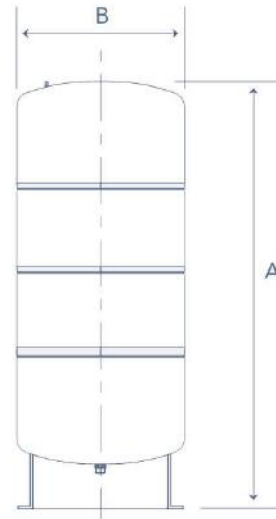
In-line Type

Model	Dimensions(mm)		
	A	B	C
In-line Type			
SPT 1	200	120	-
SPT 3	215	130	-
SPT 8	290	203	-
SPT 12	390	230	-
SPT 18	390	280	-
SPT 24	415	295	-
SPT 38	550	295	-



Horizontal Type With Base

Model	Dimensions(mm)		
	A	B	C
Horizontal Type With Base			
SPT 18H	390	300	280
SPT 24H	415	320	295
SPT 38H	550	320	295
SPT 58H	550	425	381
SPT 80H	730	425	381



Vertical Type With Base

Model	Dimensions(mm)		
	A	B	C
Vertical Type With Base			
SPT 58	620	381	-
SPT 80	740	381	-
SPT 100	985	381	-
SPT 130	750	559	-
SPT 160	915	559	-
SPT 235	1160	559	-
SPT 305	1450	559	-

Model			Total Tank Volume		Accept Volume		N.W.		G.W		Shipping Volume	Connection	Base
			Liter	Gal	Liter	Gal	Kg	Lbs.	Kg	Lbs.	CBM	Dimensions	Material
In-line Type													
BSP	BSPT	NPT	Liter	Gal	Liter	Gal	Kg	Lbs.	Kg	Lbs.	CBM	Dimensions	Material
N/A	N/A	SPTN 1	1	0.3	0.3	0.08	0.6	1.3	0.7	1.5	0.0042	1/2" (MALE)	-
SPTB 3	SPTT 3	SPTN 3	3	0.5	1.0	0.25	1.1	2.4	1.2	2.6	0.0059	3/4" or 1" (MALE)	-
SPTB 8	SPTT 8	SPTN 8	8	2.0	3.5	0.9	1.9	4.2	2.1	4.7	0.0147	3/4" or 1" (MALE)	-
SPTB 12	SPTT 12	SPTN 12	12	3.2	6.0	1.6	2.8	6.2	3.0	6.7	0.0212	3/4" or 1" (MALE)	-
SPTB 18	SPTT 18	SPTN 18	18	4.5	9.5	2.5	3.5	7.7	3.7	8.2	0.0319	3/4" or 1" (MALE)	-
SPTB 24	SPTT 24	SPTN 24	24	6.0	11.5	3.0	4.2	9.2	4.6	10.1	0.0387	3/4" or 1" (MALE)	-
SPTB 38	SPTT 38	SPTN 38	38	10	20.0	5.2	6.0	13.2	6.4	14.0	0.0512	3/4" or 1" (MALE)	-
Vertical Type With Base													
SPTB 58	SPTT 58	SPTN 58	58	14	42.8	11.3	9.0	19.8	9.7	21.4	0.1076	3/4" or 1" (MALE)	PLASTIC
SPTB 80	SPTT 80	SPTN 80	80	20	50.0	13.0	12.2	26.8	13.0	28.6	0.1330	3/4" or 1" (MALE)	PLASTIC
SPTB 100	SPTT 100	SPTN 100	100	28	58.5	15.0	15.0	33.0	15.5	34.1	0.1698	1" (MALE)	PLASTIC
SPTB 130	SPTT 130	SPTN 130	130	34	85.6	22.5	20.8	45.8	22.0	48.4	0.2384	1-1/4" (MALE)	STEEL
SPTB 160	SPTT 160	SPTN 160	160	44	115	30.0	24.1	53.2	26.8	59.1	0.2888	1-1/4" (MALE)	STEEL
SPTB 235	SPTT 235	SPTN 235	235	62	140	35.2	34.9	76.8	36.5	80.3	0.3709	1-1/4" (MALE)	STEEL
SPTB 305	SPTT 305	SPTN 305	305	81	167	44.0	44.8	98.6	46.8	103	0.4615	1-1/4" (MALE)	STEEL
Horizontal Type With Base													
SPTB 18H	SPTT 18H	SPTN 18H	18	4.5	9.5	2.5	4	18.9	4.3	9.5	0.0373	3/4" or 1" (MALE)	PLASTIC
SPTB 24H	SPTT 24H	SPTN 24H	24	6.0	11.5	3.0	5.0	11.0	5.4	11.9	0.0438	3/4" or 1" (MALE)	PLASTIC
SPTB 38H	SPTT 38H	SPTN 38H	38	10	20.0	5.2	7.3	16.1	7.8	17.2	0.0631	3/4" or 1" (MALE)	PLASTIC
SPTB 58H	SPTT 58H	SPTN 58H	58	14	42.8	11.3	9.0	19.9	9.9	21.9	0.0971	3/4" or 1" (MALE)	PLASTIC
SPTB 80H	SPTT 80H	SPTN 80H	80	20	50.0	13.0	14.1	31.1	15.0	33.0	0.1330	3/4" or 1" (MALE)	PLASTIC

- SPT 1 and 3 liters tanks: 12 pcs / box
- Optional Stainless steel 90° female elbow (58, 80, 100, 130, 160, 235, 305 Liters vertical models)
- Factory Precharge: 30 PSI / 2bar